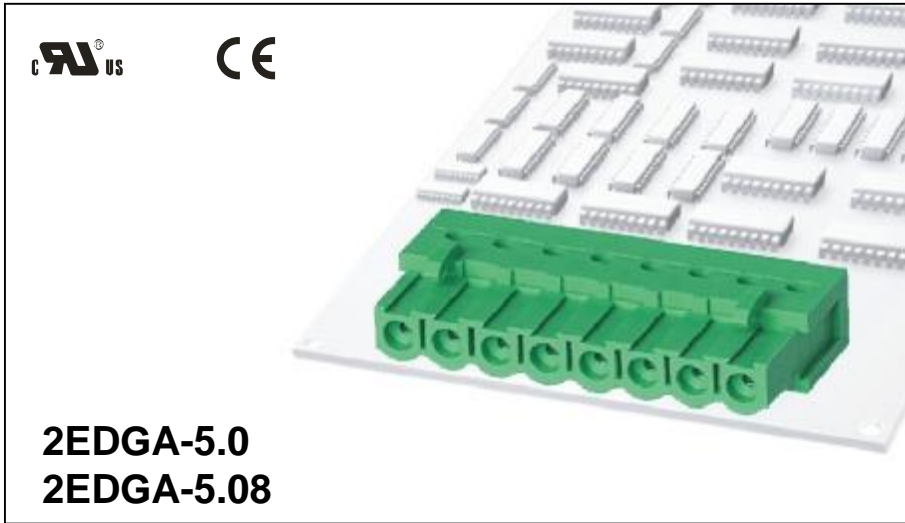


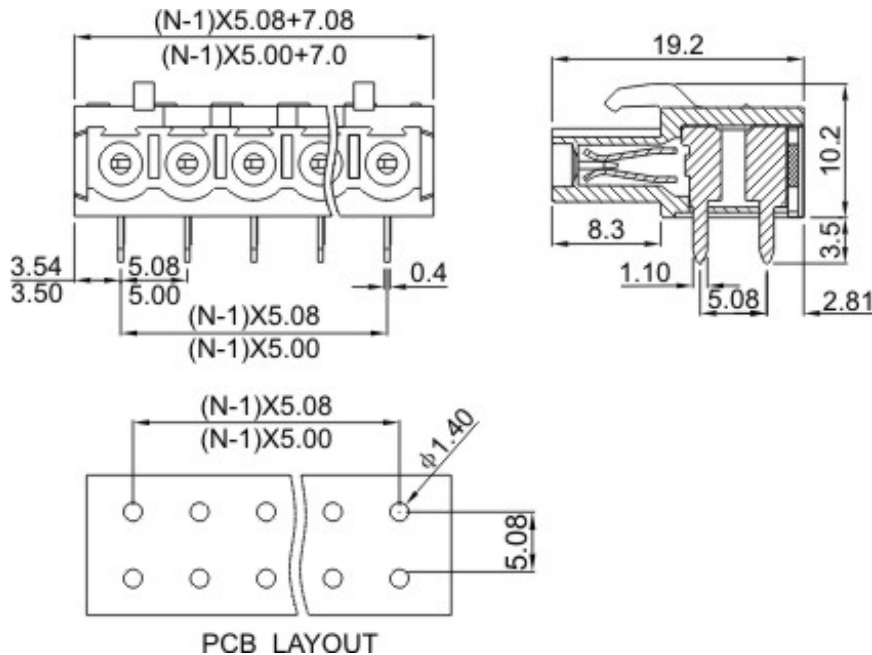


DEGSON ELECTRONICS CO., LTD.

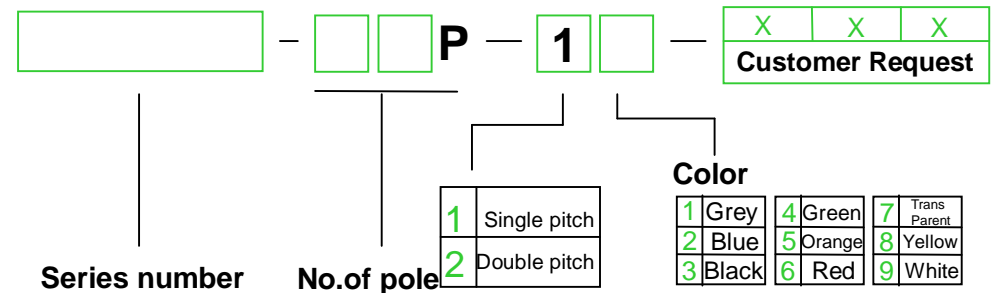
Product Specification



APPROVAL		
Electrical		
Standard	UL	IEC
Rated voltage	300V	320V
Rated current	15A	20A
Withstanding voltage	AC2500V/1Min	
Mechanical		
Ambient temperature	-40°C~+105 °C	
Dimensions		
Pitch	5.0mm(.197)5.08mm(.200")	
Poles	2P-24P	
Material		
Housing	PA66,UL94 V-0	
Contact	Phosphor bronze,Tin plated	



HOW TO ORDER :



	DEGSON ELECTRONICS CO., LTD.
	NAME 2EDGA-5.0 2EDGA-5.08