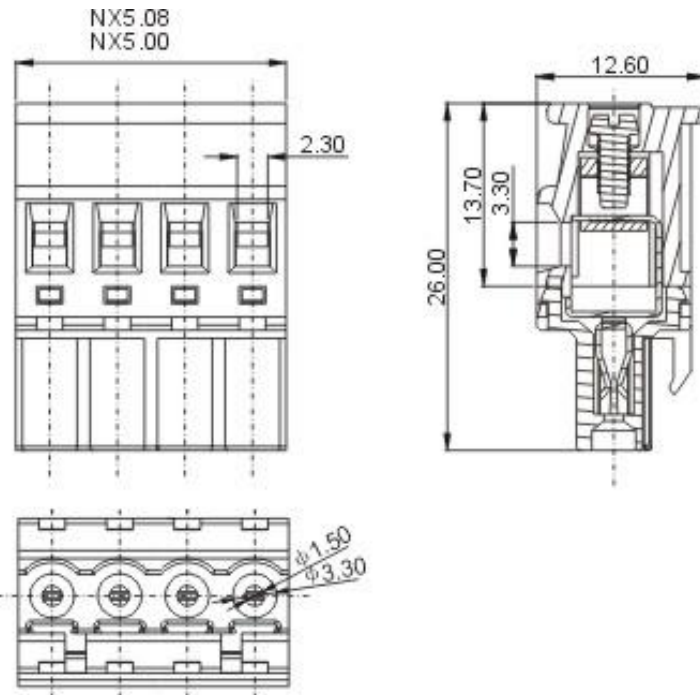


**2EDGKB-5.0**  
**2EDGKB-5.08**



### APPROVAL



### Electrical

Standard	<b>UL</b>	<b>IEC</b>
Rated voltage	300V	320V
Rated current	15A	10A
Wire range	28-12AWG	2.5mm <sup>2</sup>
Withstanding voltage	AC2500V/1Min	

### Mechanical

Torque	0.4Nm(3.5Lb-In)	
Ambient temperature	-40°C~+105 °C	
Strip length	7mm	

### Dimensions

Pitch	5.0mm(.197" ) 5.08mm(.200" )	
Poles	2P-24P	

### Material

Housing	PA66,UL94 V-0	
Screws	M2.5,Steel,Cr <sup>3+</sup> Zn-plated	
Contact	Phosphor bronze	
Cage	Brass,Ni-plated	

### HOW TO ORDER :

-  **P** -  - 

X	X	X
---	---	---

  
Customer Request

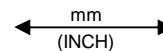
Series number

No. of pole

1	Single pitch
2	Double pitch

### Color

1	Grey	4	Green	7	Trans Parent
2	Blue	5	Orange	8	Yellow
3	Black	6	Red	9	White



DEGSON ELECTRONICS CO., LTD.

NAME

**2EDGKB-5.0 2EDGKB-5.08**