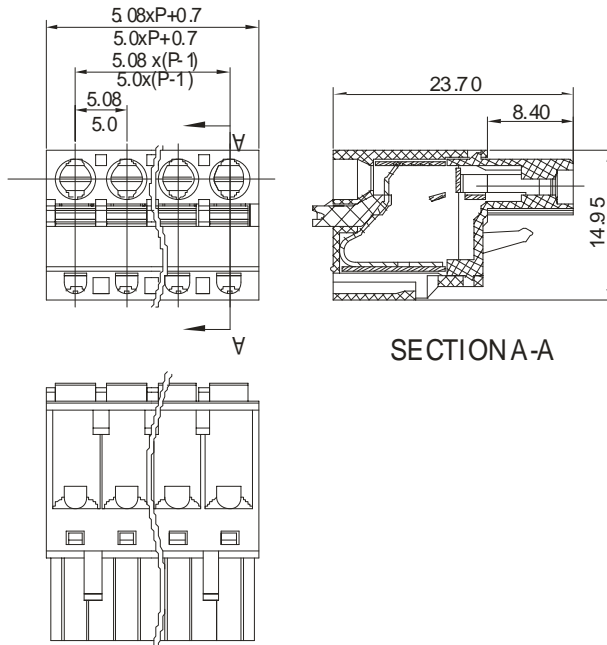


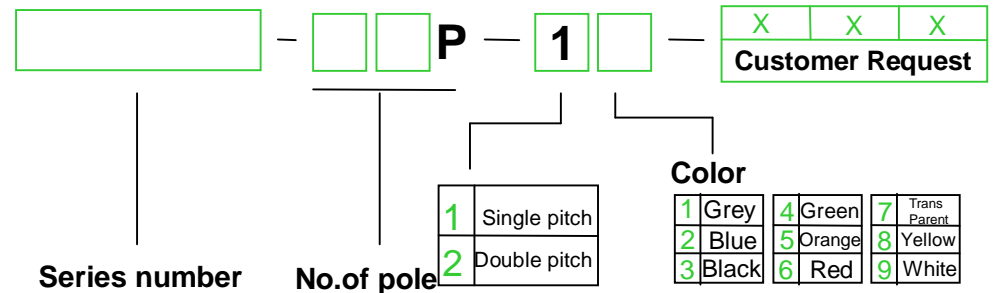



**2EDGKD-5.0**  
**2EDGKD-5.08**



|                      |   |   |
|----------------------|---|---|
| <b>APPROVAL</b>      |  |  |
| <b>Electrical</b>    |   |   |
| Standard             | <b>UL</b>   | <b>IEC</b>  |
| Rated voltage        | 300V  | 320V  |
| Rated current        | 10A   | 20A   |
| Wire range           | 26-12AWG  | 0.2-2.5mm <sup>2</sup>  |
| Withstanding voltage | AC2500V/1Min  |   |
| <b>Mechanical</b>    |   |   |
| Torque               | -40°C ~ +105 °C   |   |
| Ambient temperature  | 10mm  |   |
| Strip length         |   |   |
| <b>Dimensions</b>    |   |   |
| Pitch                | 5.0mm(.197" ) 5.08mm(.200" )  |   |
| Poles                | 2P-16P  |   |
| <b>Material</b>      |   |   |
| Housing              | PA66,UL94 V-0   |   |
| Contact              | Phosphor bronze   |   |
| Wire guard           | Stainless steel   |   |

### HOW TO ORDER :



|                      |   |
|----------------------|---|
| mm<br>(INCH)         |  <b>DEGSON ELECTRONICS CO., LTD.</b> |
| THROANGLE PROJECTION | <b>NAME</b><br>2EDGKD-5.0 2EDGKD-5.08   |