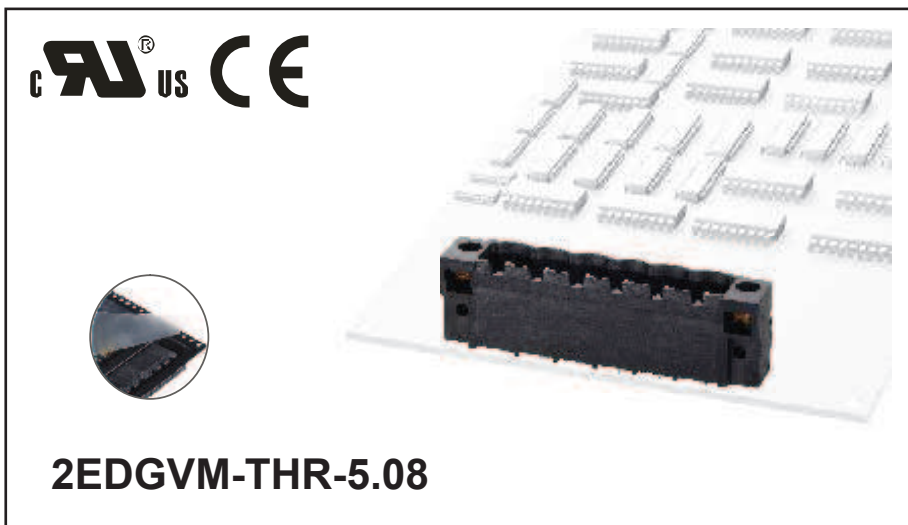




宁波高正电子有限公司

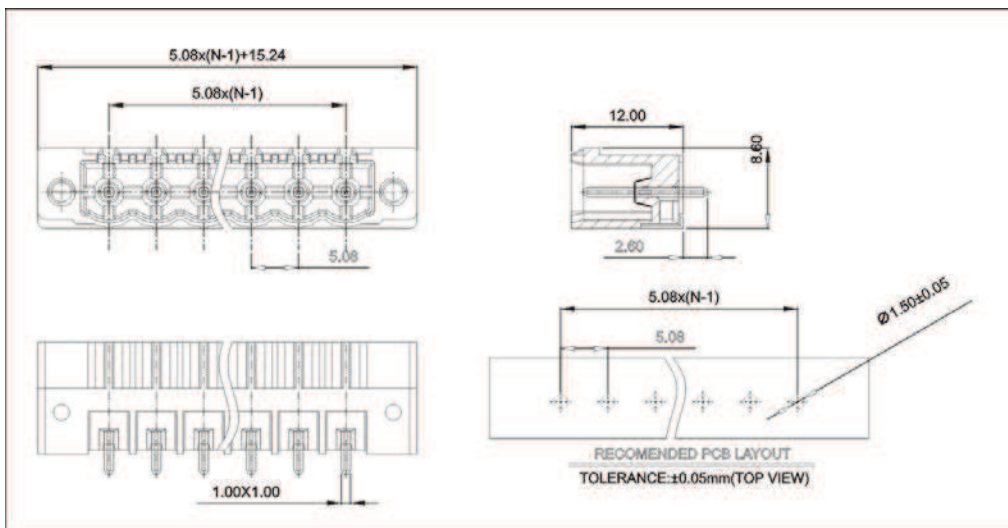
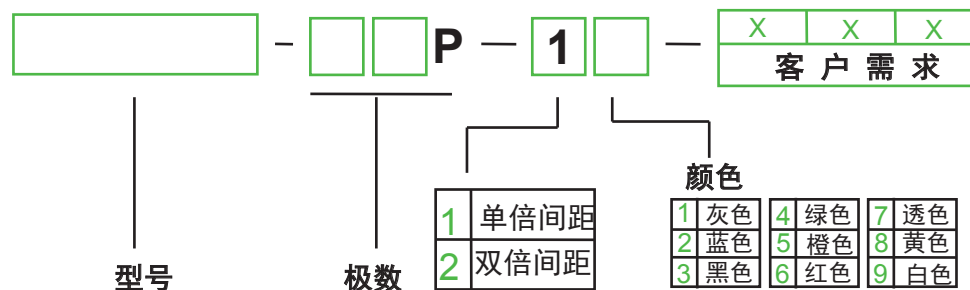
DEGSON ELECTRONICS CO.,LTD.

产品规格书



Approval	c	
Electrical		
Standard	UL	IEC
Rated voltage	300V	320V
Rated current	15A	20A
With standing voltage	AC2500V/1Min	
Mechanical		
Ambient temperature	-40℃~+140℃	
Dimensions		
Pitch	5.08(.200")	
Poles	2P-12P	
Material		
Housing	LCP,UL94V-0	
Pin header	Copper, Tin plated	
Nut	M2.5,Brass	

订购方式：



 THROANGLE PROJECTION	 宁波高正电子有限公司 DEGSON ELECTRONICS CO.,LTD.
NAME	2EDGVM-THR-5.08