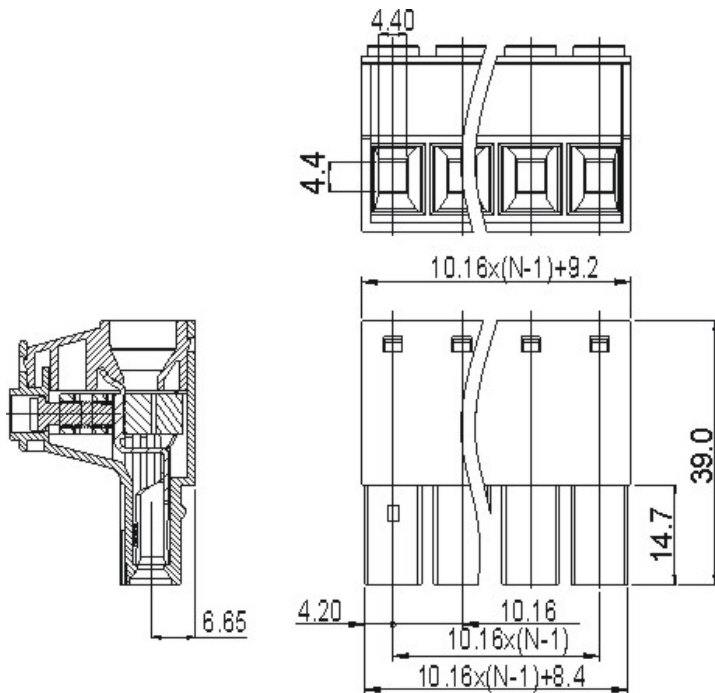






5EDGK-10.16



APPROVAL		
Electrical		
Standard	UL	IEC
Rated voltage	600V	600V
Rated current	52A	57A
Wire range	20AWG	0.5-10mm ²
Withstanding voltage	AC3500V/1Min	
Mechanical		
Ambient temperature	-40°C~+105 °C	
Strip length	12mm	
Torque	1.2Nm(10.5Lb-In)	
Dimensions		
Pitch	10.16mm(.400")	
Poles	2P-9P	
Material		
Housing	PA66,UL94V-0	
Contact	Copper	
Screws	M4,Steel, Cr ³⁺ Zn-plated	
Cage	Brass,Ni-plated	

HOW TO ORDER :

- **P** - -

X	X	X
---	---	---

Customer Request

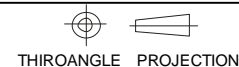
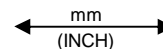
Series number

No. of pole

1	Single pitch
2	Double pitch

Color

1	Grey	4	Green	7	Trans Parent
2	Blue	5	Orange	8	Yellow
3	Black	6	Red	9	White



DEGSON ELECTRONICS CO., LTD.

NAME

5EDGK-10.16