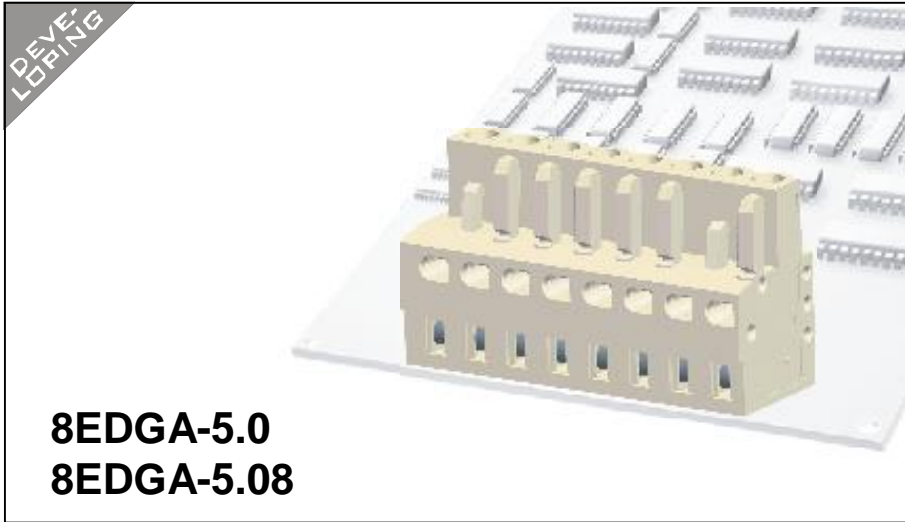


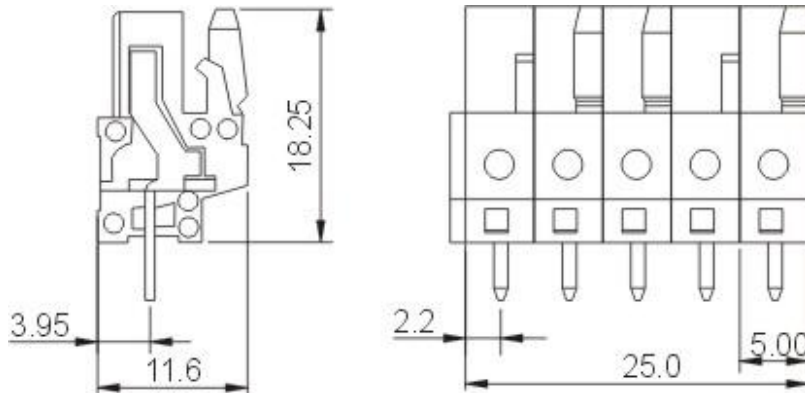


# DEGSON ELECTRONICS CO., LTD.

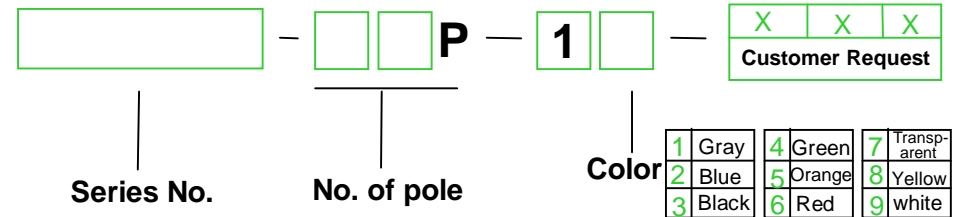
## Product Specification



<b>Approval</b>		
<b>Electrical</b>		
<b>Standard</b>	<b>UL</b>	<b>IEC</b>
Rated voltage	300V	320V
Rated current	15A	20A
With standing voltage	AC2500V/1Min	
<b>Mechanical</b>		
Ambient temperature	-40°C~+105 °C	
<b>Dimensions</b>		
Pitch	5.0(.197" ) 5.08mm(.200" )	
Poles	2P-24P	
<b>Material</b>		
Housing	PA66,UL94V-0	
Contact	Phosphor bronze	



### HOW TO ORDER :



 mm (INCH)	 <b>DEGSON ELECTRONICS CO., LTD.</b>
 THROANGLE PROJECTION	<b>NAME</b> <b>8EDGA-5.0, 8EDGA-5.08</b>