

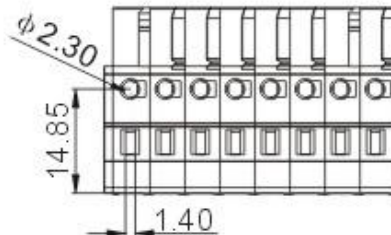
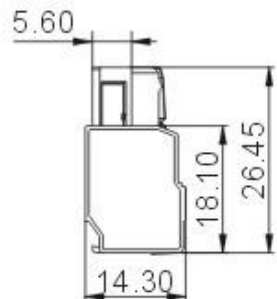
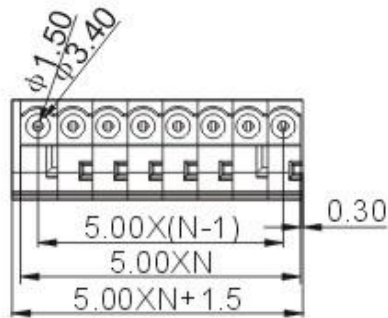


# DEGSON ELECTRONICS CO., LTD.

## Product Specification



**8EDGKB-5.0**



<b>Approval</b>	C  US	
<b>Electrical</b>		
<b>Standard</b>	<b>UL</b>	<b>IEC</b>
Rated voltage	300V	400V
Rated current	15A	20A
Wire range	22-14AWG	2.5mm <sup>2</sup>
With standing voltage	AC2500V/1Min	
<b>Mechanical</b>		
Ambient temperature	-40°C~+105 °C	
Strip length	8mm	
<b>Dimensions</b>		
Pitch	5.0(.197")	
Poles	2P-24P	
<b>Material</b>		
Housing	PA66,UL94V-0	
Contact	Phosphor bronze	
Wire guard	Stainless steel	

### HOW TO ORDER :



Series No.

No. of pole

Color

1	Gray	4	Green	7	Transp-arent
2	Blue	5	Orange	8	Yellow
3	Black	6	Red	9	white

	<b>DEGSON ELECTRONICS CO., LTD.</b>
	<b>NAME</b> <span style="float: right;"><b>8EDGKB-5.0</b></span>