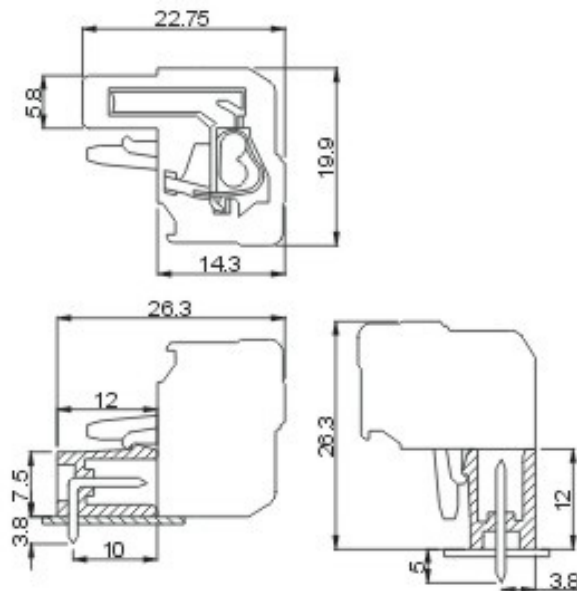




DEGSON ELECTRONICS CO., LTD.

Product Specification



Approval

Electrical

Standard	UL	IEC
Rated voltage	300V	320V
Rated current	15A	20A
Wire range	22-14AWG	2.5mm ²
With standing voltage	AC2500V/1Min	

Mechanical

Ambient temperature	-40°C ~ +105°C	
Strip length	8-9mm	

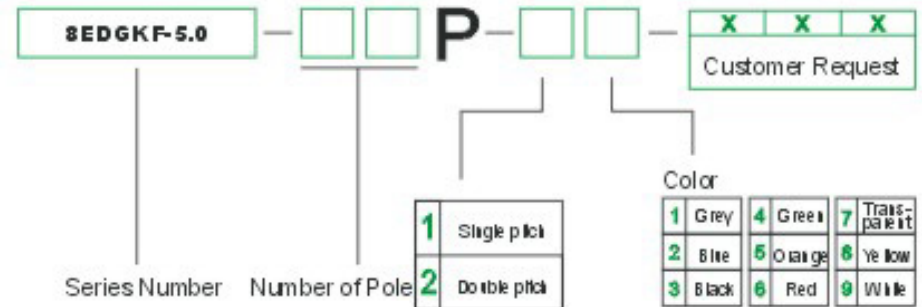
Dimensions

Pitch	5.0mm (.197")	
Poles	2P -24P	

Material

Housing	PA66, UL94V-0	
Contact	Phosphor bronze	
Wire guard	Stainless steel	

HOW TO ORDER



	DEGSON ELECTRONICS CO., LTD.
	NAME 8EDGKF-5.0