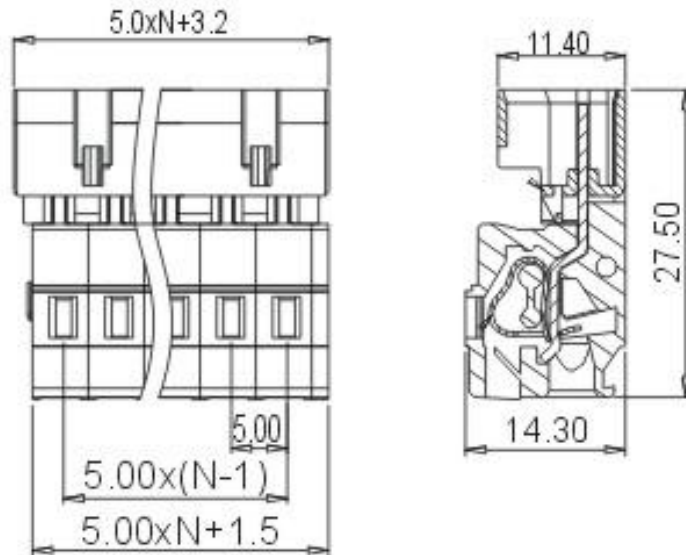


CE

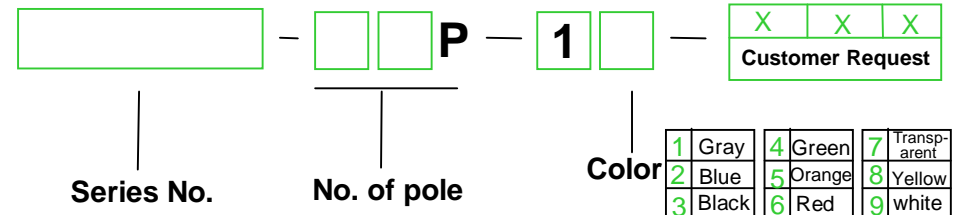


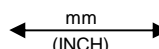


8EDGKRB-5.0



Approval	CE	
Electrical		
Standard	UL	IEC
Rated voltage	300V	400V
Rated current	15A	20A
Wire range	22-14AWG	2.5mm ²
With standing voltage	AC2500V/1Min	
Mechanical		
Ambient temperature	-40°C~+105 °C	
Strip length	8mm	
Dimensions		
Pitch	5.0(.197")	
Poles	2P-24P	
Material		
Housing	PA66,UL94V-0	
Contact	Copper	
Wire guard	Stainless steel	

HOW TO ORDER :



	 DEGSON ELECTRONICS CO., LTD.
	NAME 8EDGKRB-5.0