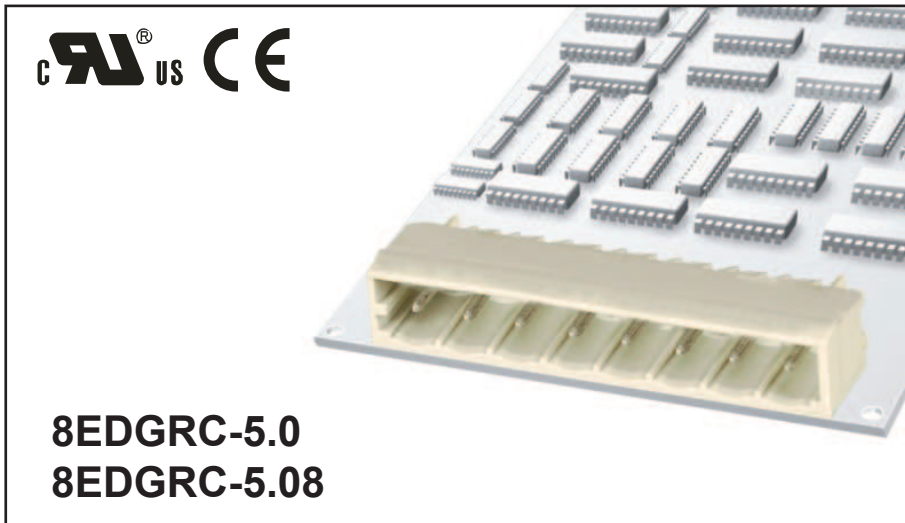


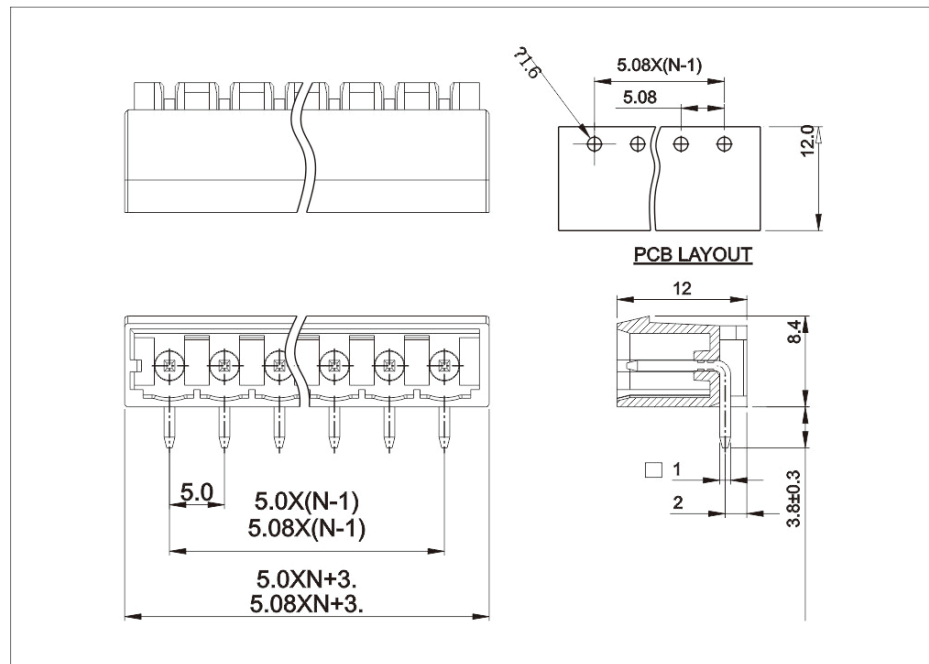


DEGSON ELECTRONICS CO., LTD.

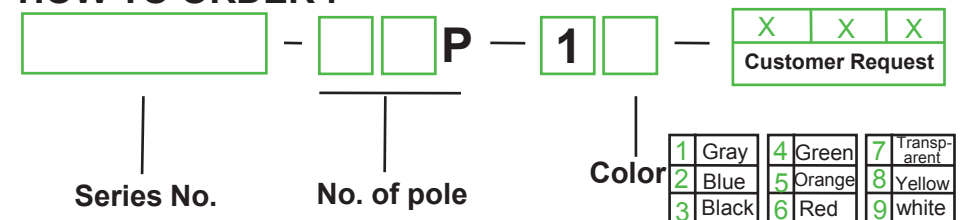
Product Specification



Approval	C US	
Electrical		
Standard	UL	IEC
Rated voltage	300V	320V
Rated current	15A	20A
With standing voltage	AC2500V/1Min	
Mechanical		
Ambient temperature	-40°C~+105 °C	
Dimensions		
Pitch	5.0(.197") 5.08mm(.200")	
Poles	2P-24P	
Material		
Housing	PA66,UL94V-0	
Pin header	Copper Tin-plated	



HOW TO ORDER :



	DEGSON ELECTRONICS CO., LTD.
	NAME 8EDGRC-5.0, 8EDGRC-5.08