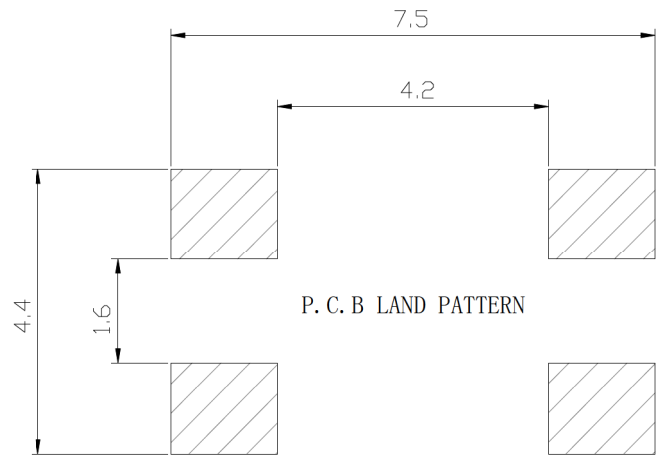
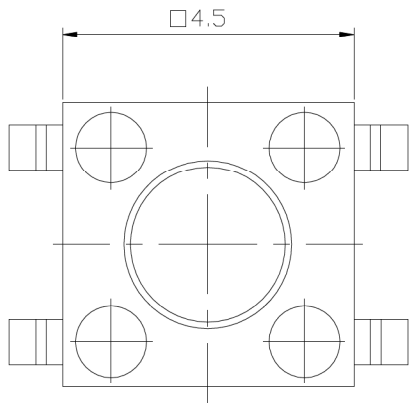
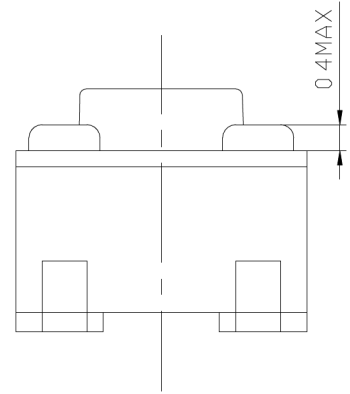
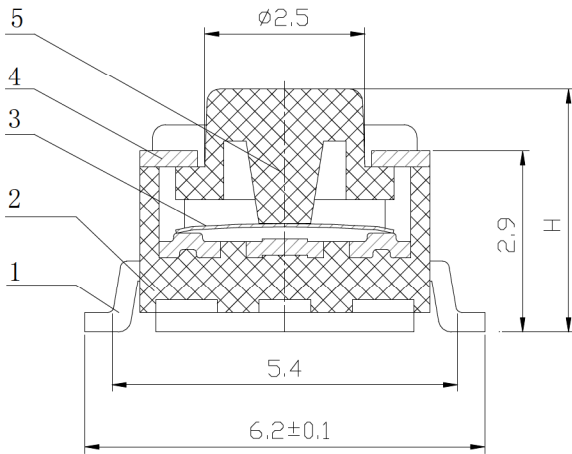


APPROVAL SPECIFICATIONS

CUSTOMER	CUSTOMER'S P/N	GYE'S P/N	PRODUCT	REVISION
		KAN4542-0381B	TACT SWITCH	A



General tolerance: $\pm 0.2\text{mm}$ $H = 3.8 \pm 0.2\text{mm}$

NO.	NAME	MATERIAL	NATIONALITY	QTY.	FINISHING
1	TERMINAL	Brass	China	1	Silver plating
2	CASE	FR52	USA	1	Black
3	CONTACT	SUS	Japan	1	Ag plating
4	COVER	SPCC	China	1	Cu Sn plating
5	STEM	FR52	USA	1	Black

APPROVE BY	黄自兵 17.10.11	CHECKED BY	李生勇 17.10.11	PRPARE BY	林庆杰 17.10.11
------------	--------------	------------	--------------	-----------	--------------