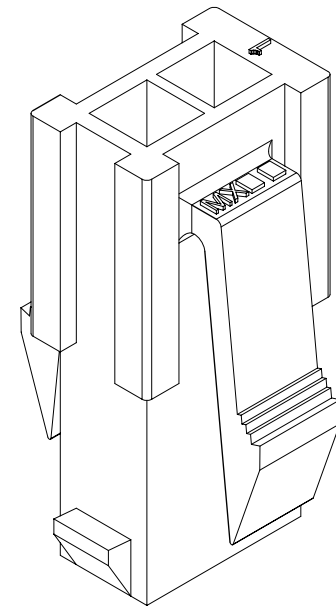


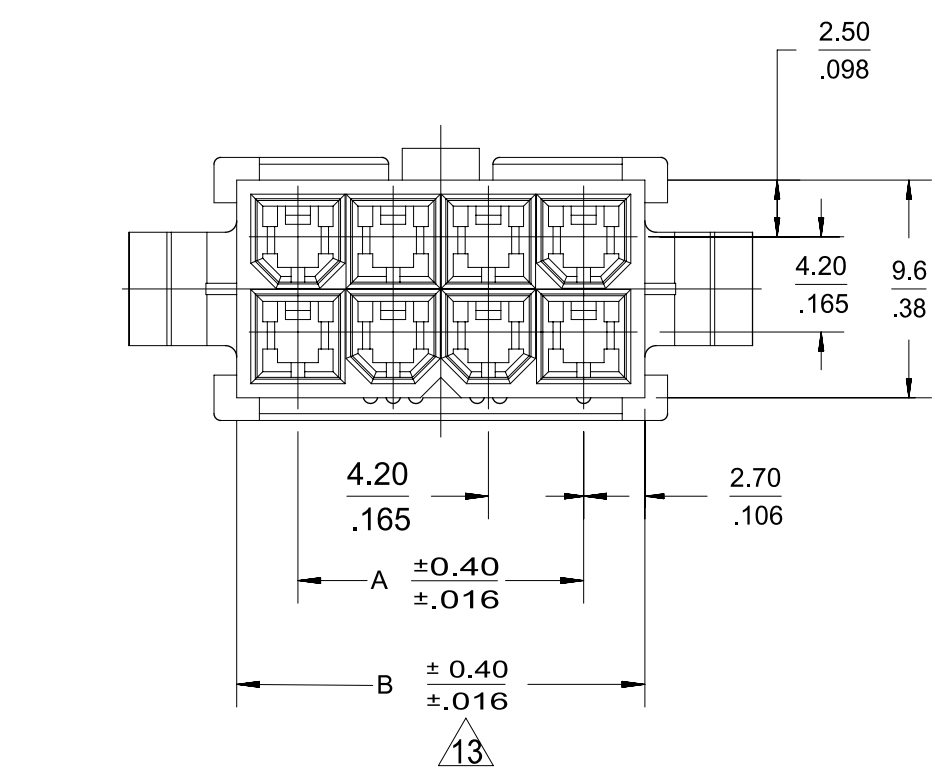
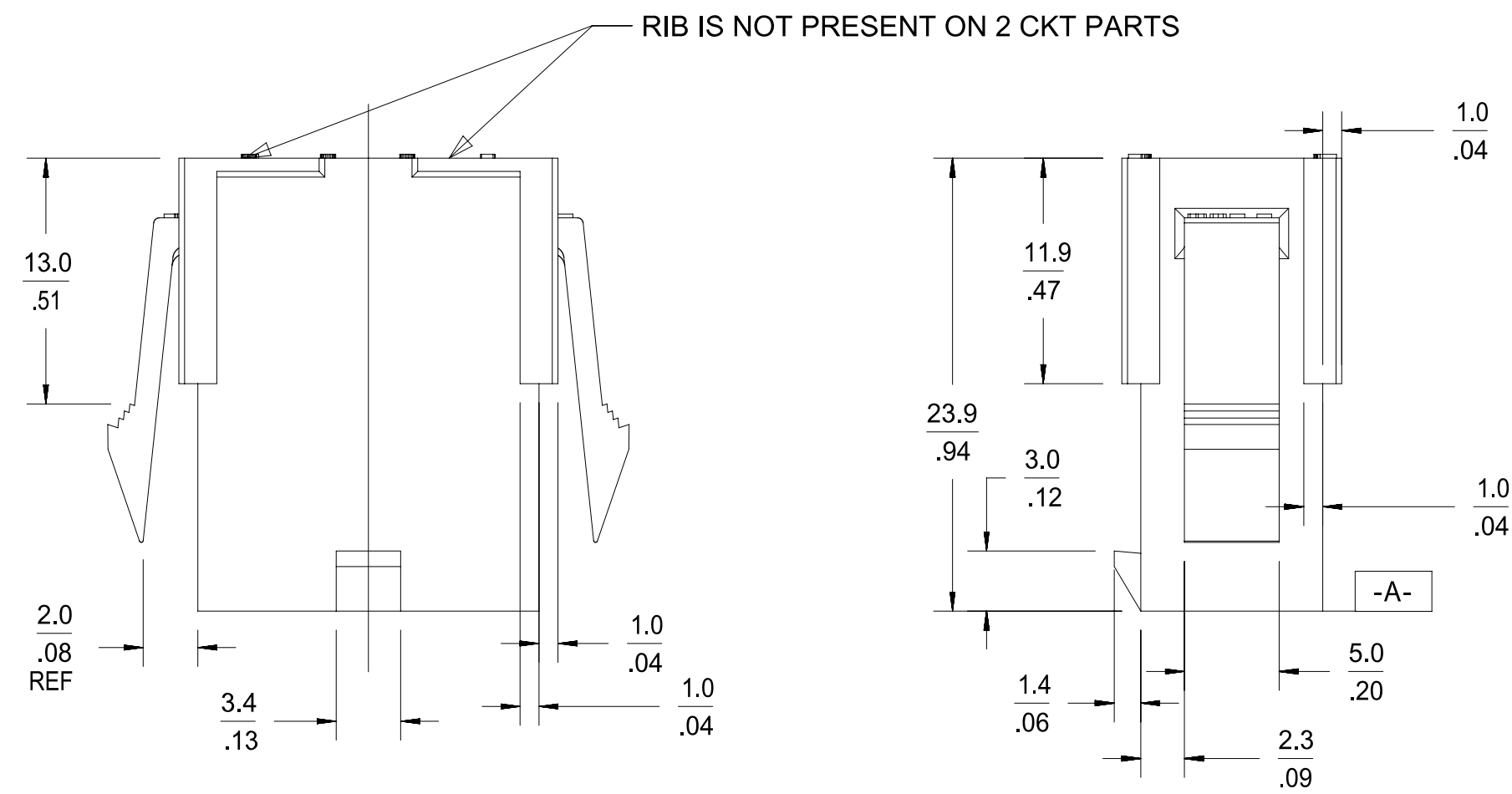
8 CKT SHOWN



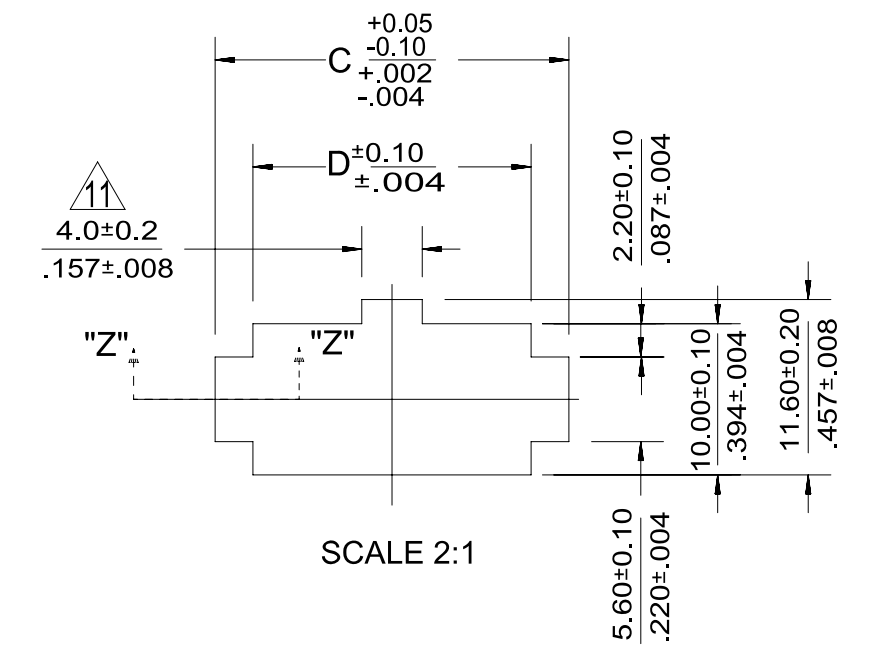
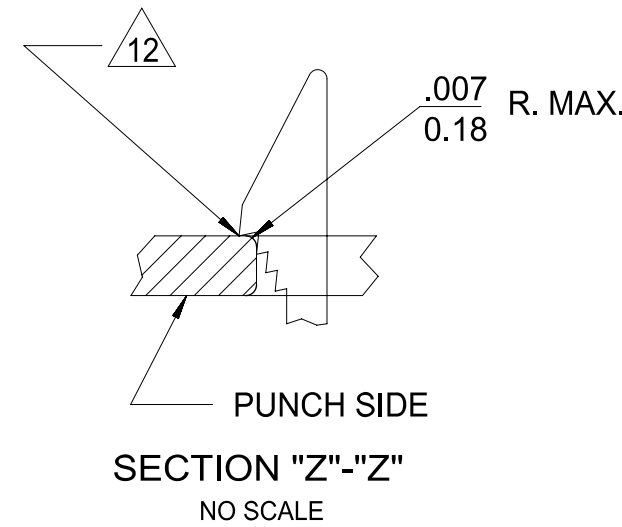
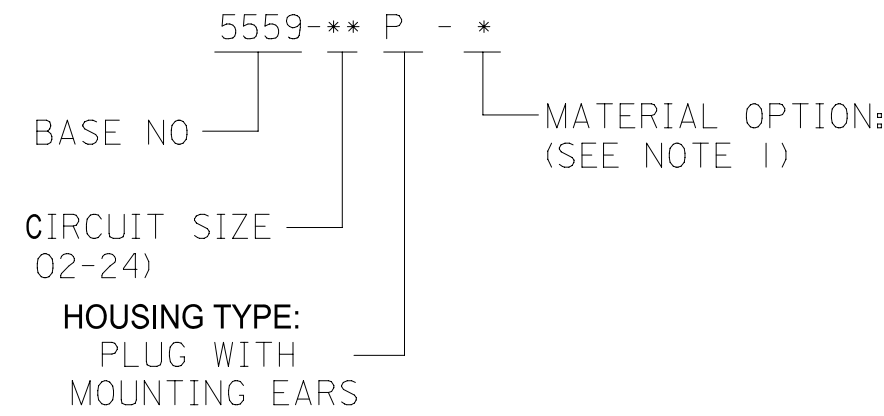
2 CKT SHOWN

NOTES:

- 1) MATERIAL:
 "BLANK" = NYLON 6/6, 94V-2, COLOR: NATURAL.
 "BL" = NYLON 6/6, 94V-2, COLOR: BLACK.
 "BU" = NYLON 6/6, 94V-2, COLOR: BLUE.
 "RE" = NYLON 6/6, 94V-2, COLOR: RED.
 "210" = NYLON 6/6, 94V-0, COLOR: NATURAL.
 "400" = NYLON 6/6, 94V-0, COLOR: BLACK.
- 2) FINISH: NOT APPLICABLE
- 3) PRODUCT SPECIFICATION: PS-5556-001
- 4) PACKAGING: BULK PACKED PER PK-5559-001
- 5) PART MATES WITH MOLEX RECEPTACLE #5557.
- 6) PART TO BE USED WITH MOLEX MALE TERMINAL #5558.
- 7) PART IS NOT DESIGNED FOR CURRENT SHARING.
- 8) CONNECTORS ARE NOT TO BE MATED OR UNMATED WHILE CIRCUITS ARE LIVE.
- 9) WIRES ARE TO BE DRESSED IN SUCH A MANNER TO ALLOW THE TERMINALS TO FLOAT FREELY IN THE POCKET.
- 10) PART CONFORMS TO CLASS "B" REQUIREMENTS OF COSMETIC SPECIFICATION PS-45499-002 WITH THE EXCEPTION OF DISCOLORATION, FLASH AND SINK MEET CLASS "C" REQUIREMENTS.
- 11) ON 2 CIRCUITS PARTS THIS DIMENSION IS ALLOWABLE UP TO "D" DIMENSION.
- 12) PANEL HOLE TO BE PUNCHED OUT IN THE SAME DIRECTION AS INSERTION INTO THE PANEL.
- 13) TO BE MEASURED AT SURFACE -A-
- 14) TEXT ON PART IS FOR REFERENCE ONLY. TEXT AND TEXT LOCATION MAY VARY DEPENDING ON PART NUMBER AND/OR TOOL.



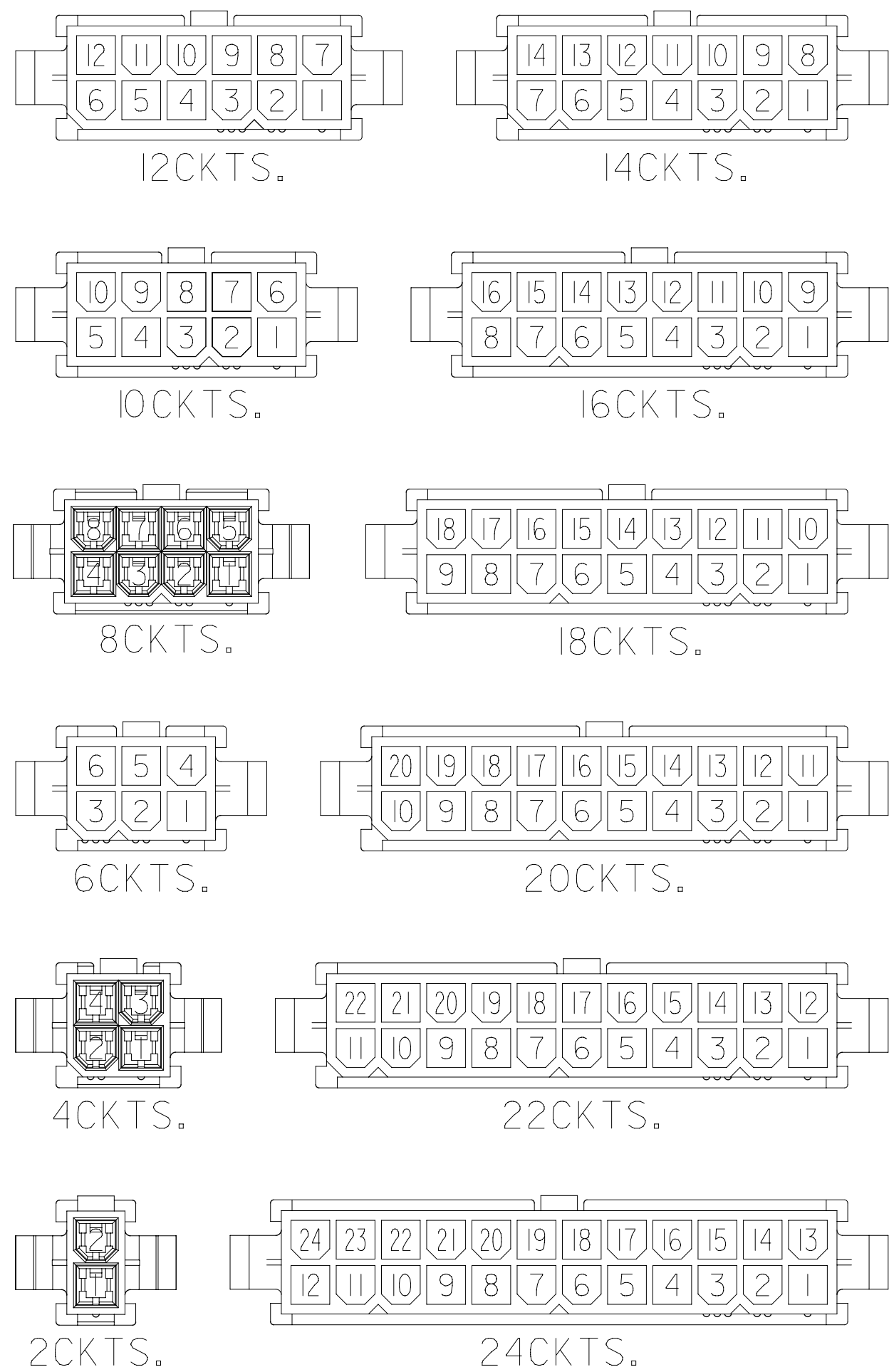
LEGEND



RECOMMENDED PANEL HOLE DIMENSIONS
(THICKNESS : 0.8-2.0/.032-.079)

	D	C	B	A	CIRCUIT
	52.1/2.051	57.0/2.244	51.6/2.031	46.2/1.819	24
	47.9/1.886	52.8/2.079	47.4/1.866	42.0/1.654	22
	43.7/1.720	48.6/1.913	43.2/1.701	37.8/1.488	20
	39.5/1.555	44.4/1.748	39.0/1.535	33.6/1.323	18
	35.3/1.390	40.2/1.583	34.8/1.370	29.4/1.158	16
	31.1/1.224	36.0/1.417	30.6/1.205	25.2/.992	14
	26.8/1.055	31.8/1.252	26.4/1.039	21.0/.827	12
	22.6/.890	27.6/1.087	22.2/.874	16.8/.661	10
	18.4/.724	23.4/.921	18.0/.709	12.6/.496	8
	14.2/.559	19.2/.756	13.8/.543	8.4/.331	6
	10.0/.394	15.0/.591	9.6/.378	4.2/.165	4
	5.8/.228	10.8/.425	5.4/.213	—	2

SYMBOLS		THIS DRAWING CONTAINS INFORMATION THAT IS PROPRIETARY TO MOLEX ELECTRONIC TECHNOLOGIES, LLC AND SHOULD NOT BE USED WITHOUT WRITTEN PERMISSION		CURRENT REV / DESC: UPDATE NOTE 4			
DIMENSION UNITS		SCALE		EC NO: 600128			
= 0		IN/MM		3:1		MINI. FIT JR DUAL ROW 2-24CKT PLUG HOUSING WITH EARS	
= 0		GENERAL TOLERANCES (UNLESS SPECIFIED)		DRWN: AZAHIROVIC 2018/04/11			
= 0				CHK'D: JBELL 2018/06/01		PRODUCT CUSTOMER DRAWING	
= 0				APPR: FSMITH 2018/06/03			
= 0		4 PLACES ±		INITIAL REVISION:		DOCUMENT NUMBER SD-5559-NP	
= 0		3 PLACES ±		DRWN: H.HIRAMOTO 1998/10/14			
= 0		2 PLACES ±		APPR: M.ENOMOTO 1988/10/24		DOC TYPE: PSD DOC PART: 000 REVISION: J9	
= 0		1 PLACE ±		DRAFT WHERE APPLICABLE MUST REMAIN WITHIN DIMENSIONS		MATERIAL NUMBER: SEE CHART CUSTOMER: GENERAL MARKET SHEET NUMBER: 1 OF 2	
= 0		0 PLACES ±		THIRD ANGLE PROJECTION			
= 0		ANGULAR TOL ± 3.0 °		DRAWING: C-SIZE		SERIES: 5559	



CIRCUIT SIZE LAYOUT (SCALE : 2-1)

V-2 BLACK			V-0 BLACK								
EDP NO.	ENG. NO.	CIRCUIT	EDP NO.	ENG. NO.	CIRCUIT						
46999-0157	5559-24P-BL	24	46999-0304	5559-24P-400	24						
		22	46999-0303	5559-22P-400	22						
39-02-8205	5559-20P-BL	20	46999-0302	5559-20P-400	20						
		18	46999-0301	5559-18P-400	18						
		16	46999-0300	5559-16P-400	16						
		14	46999-0299	5559-14P-400	14						
		2	46999-0298	5559-12P-400	2						
		10	46999-0297	5559-10P-400	10						
		8	46999-0296	5559-08P-400	8						
39-02-8065	5559-06P-BL	6	46999-0295	5559-06P-400	6						
39-02-8045	5559-04P-BL	4	46999-0294	5559-04P-400	4						
		2	46999-0293	5559-02P-400	2						
V-2 BLUE			V-2 RED			V-0 NATURAL			V-2 NATURAL		
EDP NO.	ENG. NO.	CIRCUIT	EDP NO.	ENG. NO.	CIRCUIT	EDP NO.	ENG. NO.	CIRCUIT	EDP NO.	ENG. NO.	CIRCUIT
		24			24	39-01-2246	5559 -24P-210	24	39-01-2241	5559-24P	24
		22			22	▲ -2226	▲ -22P-210	22	▲ -2221	▲ -22P	22
		20			20	-2206	-20P-210	20	-2201	-20P	20
		18			18	-2186	-18P-210	18	-2181	-18P	18
		16			16	-2166	-16P-210	16	-2161	-16P	16
		14			14	-2146	-14P-210	14	-2141	-14P	14
		2			2	-2126	-12P-210	2	-2121	-12P	2
		10			10	-2106	-10P-210	10	-2101	-10P	10
		8			8	-2086	-08P-210	8	-2081	-08P	8
39-02-8066	5559-06P-BU	6	39-02-8067	5559-06P-RE	6	▼ -2066	▼ -06P-210	6	▼ -2061	▼ -06P	6
39-02-8046	5559-04P-BU	4			4	▼ -2046	▼ -04P-210	4	▼ -2041	▼ -04P	4
		2			2	39-01-2026	5559 -02P-210	2	39-01-2021	5559-02P	2

THIS DRAWING CONTAINS INFORMATION THAT IS PROPRIETARY TO MOLEX ELECTRONIC TECHNOLOGIES, LLC AND SHOULD NOT BE USED WITHOUT WRITTEN PERMISSION

SYMBOLS

▽ = 0	IN/MM	SCALE	3:1
▽ = 0	GENERAL TOLERANCES (UNLESS SPECIFIED)		
▽ = 0	4 PLACES ±	MM	INCH
▽ = 0	3 PLACES ±	± 0.012	
▽ = 0	2 PLACES ±	0.3 ± 0.016	
▽ = 0	1 PLACE ±	0.4 ±	
▽ = 0	0 PLACES ±	±	
■ = 0	ANGULAR TOL ± 3.0 °		
▽ = 0	DRAFT WHERE APPLICABLE MUST REMAIN WITHIN DIMENSIONS		

CURRENT REV / DESC: UPDATE NOTE 4

EC NO: 600128
 DRWN: AZAHIROVIC 2018/04/11
 CHK'D: JBELL 2018/06/01
 APPR: FSMITH 2018/06/03

INITIAL REVISION:
 DRWN: H.HIRAMOTO 1998/10/14
 APPR: M.ENOMOTO 1988/10/24

THIRD ANGLE PROJECTION

DRAWING SERIES: C-SIZE 5559

molex

MINI. FIT JR DUAL ROW
 2-24CKT PLUG HOUSING WITH EARS

PRODUCT CUSTOMER DRAWING

DOCUMENT NUMBER	DOC TYPE	DOC PART	REVISION
SD-5559-NP	PSD	000	J9

MATERIAL NUMBER: SEE CHART
 CUSTOMER: GENERAL MARKET
 SHEET NUMBER: 2 OF 2